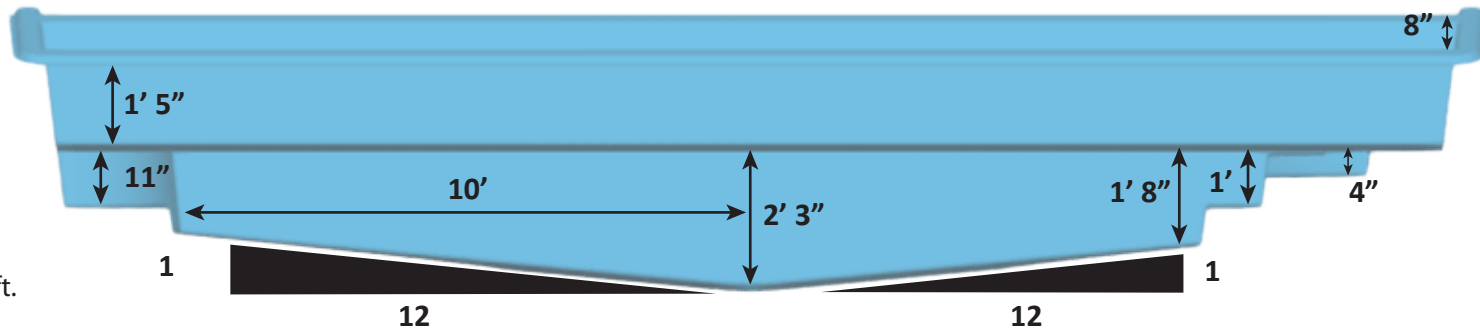
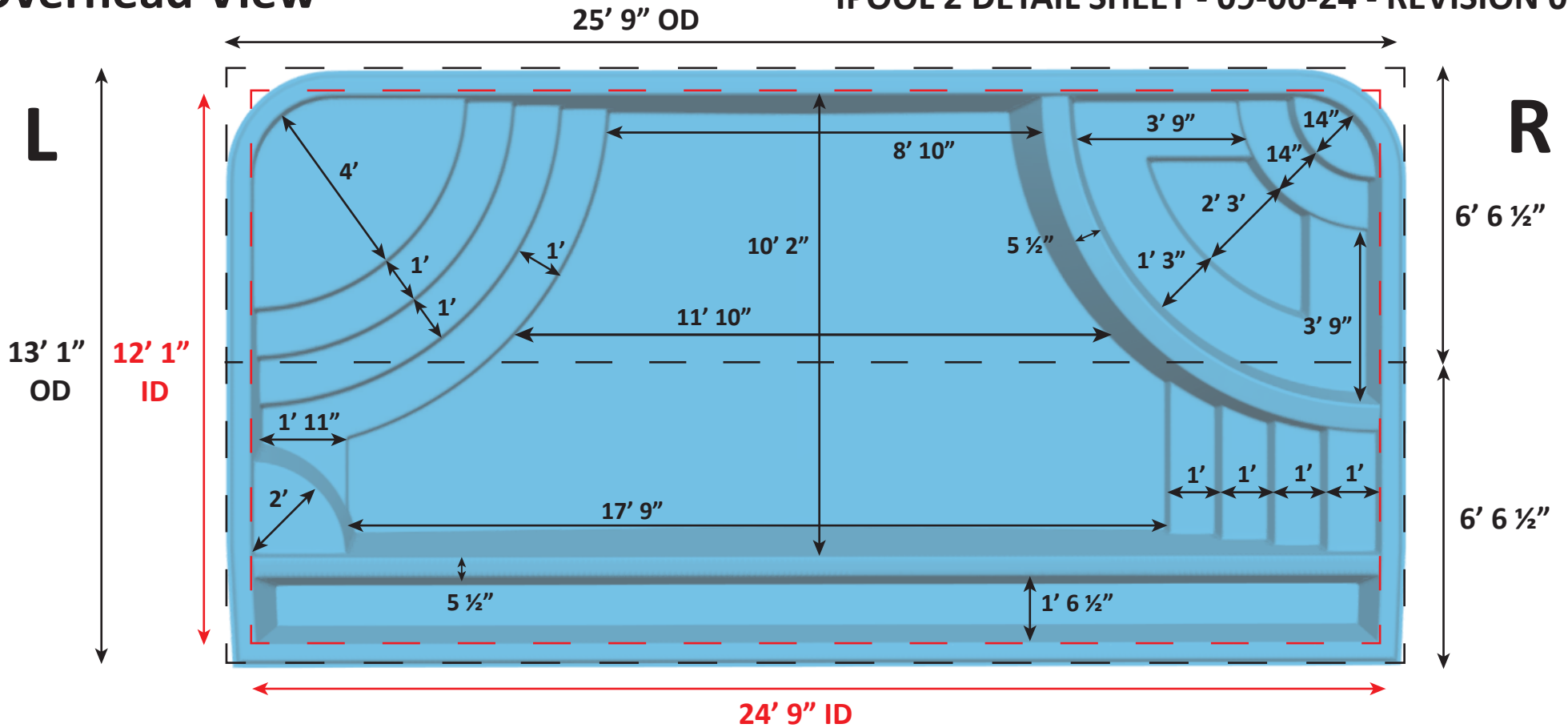


Overhead View



Surface Area: 264 Sq. ft.

Perimeter: 70 Lin. ft.

Volume: 6,700 Gal.

Per sect. 8.1, surfaces that provide footing have slip resistant surfaces.

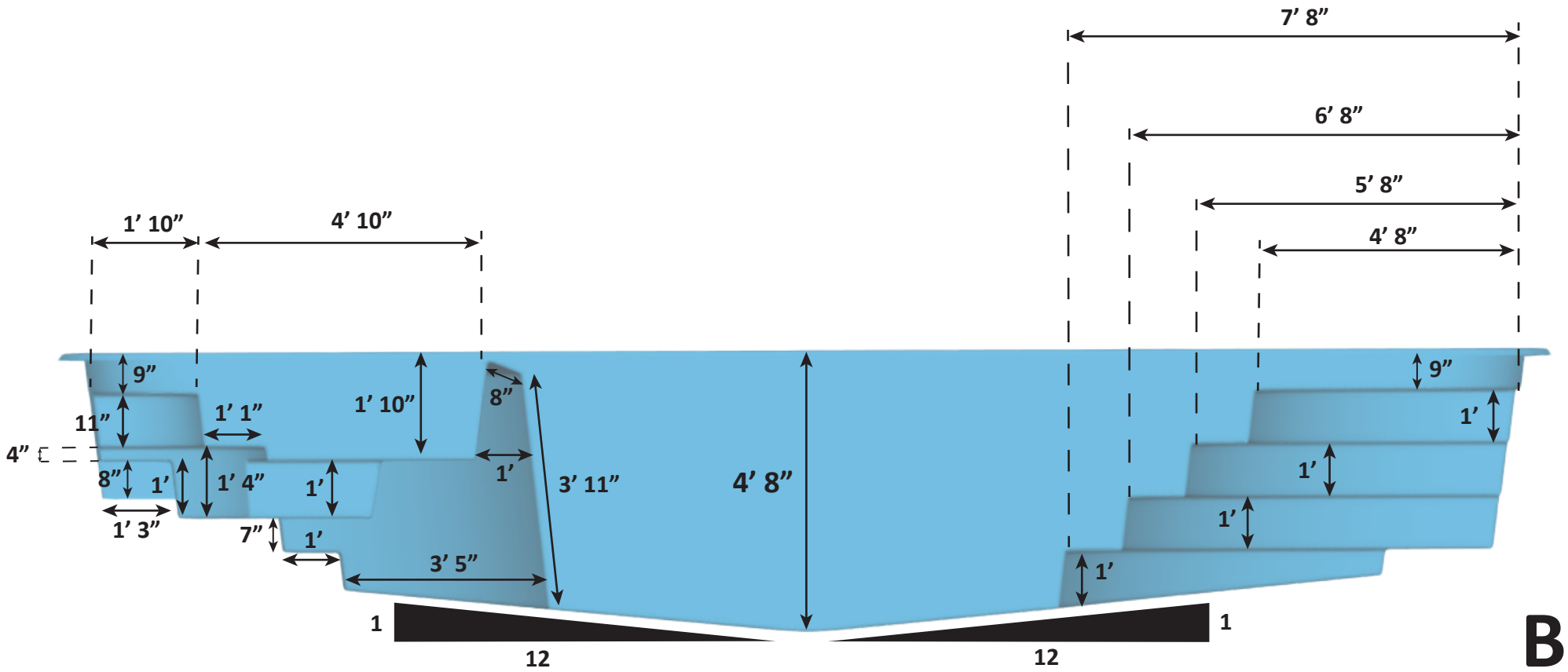
All measurements are averages.



Front View

USA Specifications





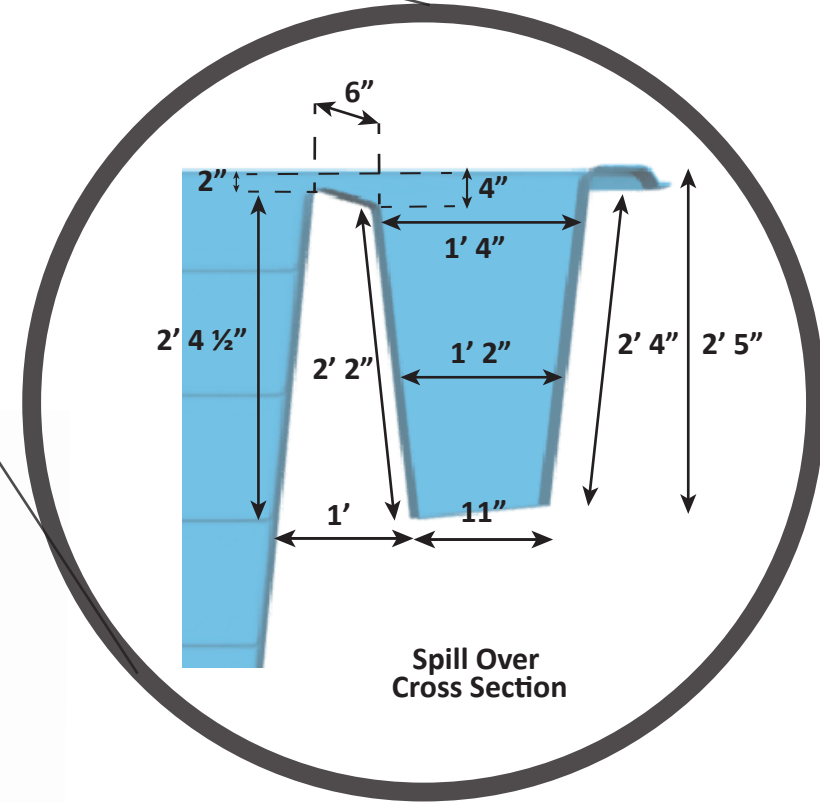
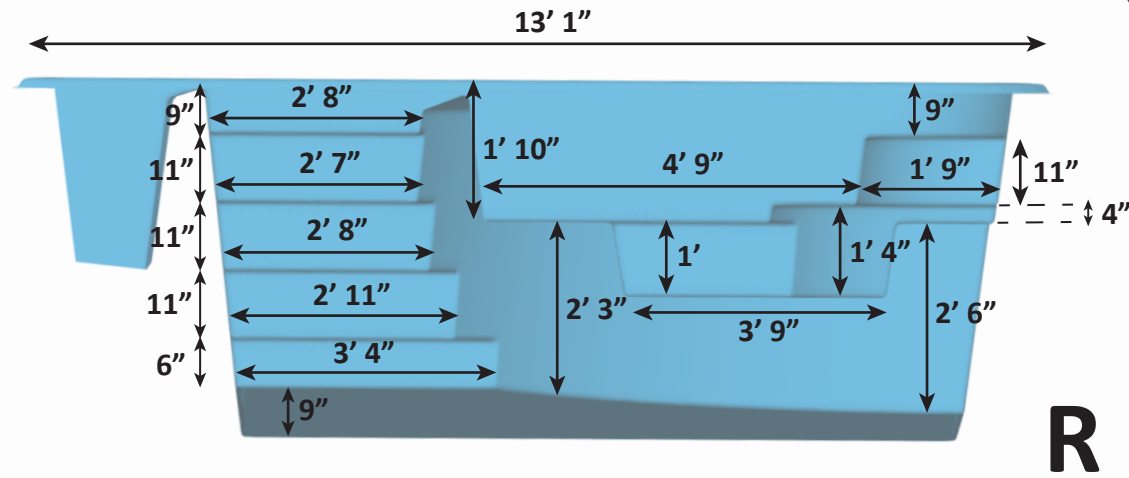
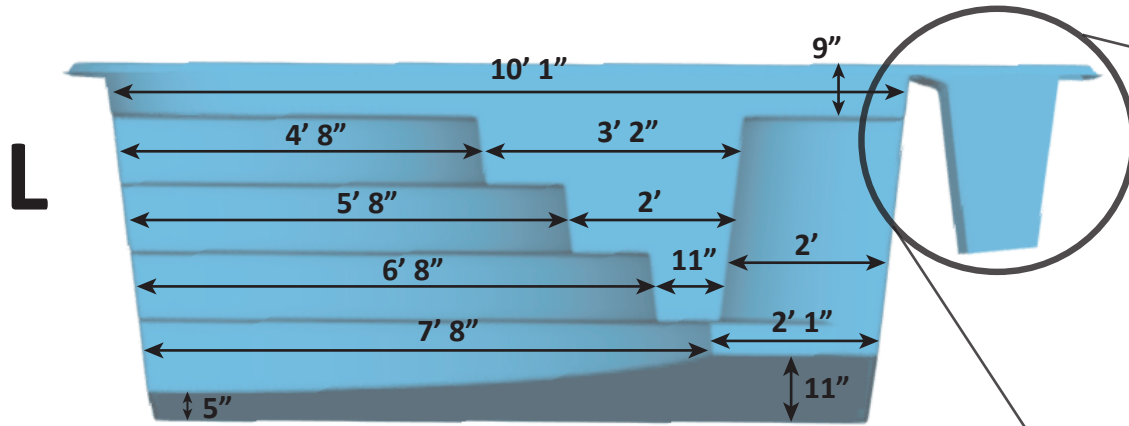
Back View

Surface Area: 264 Sq. ft.
 Perimeter: 70 Lin. ft.
 Volume: 6,700 Gal.
 Per sect. 8.1, surfaces that provide footing have slip resistant surfaces.
 All measurements are averages.



USA Specifications





Surface Area: 264 Sq. ft.
 Perimeter: 70 Lin. ft.
 Volume: 6,700 Gal.
 Per sect. 8.1, surfaces that provide footing have slip resistant surfaces.
 All measurements are averages.



Side Views

USA Specifications

